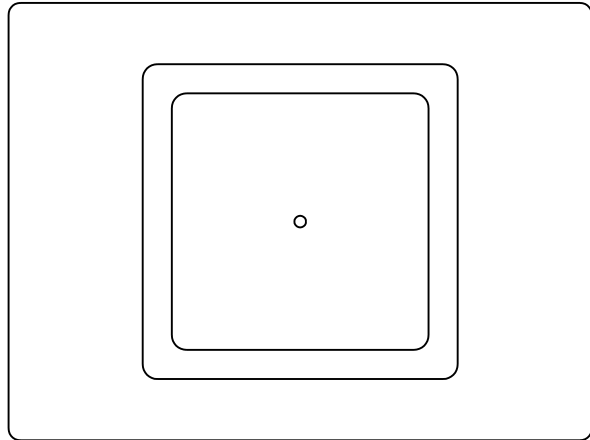




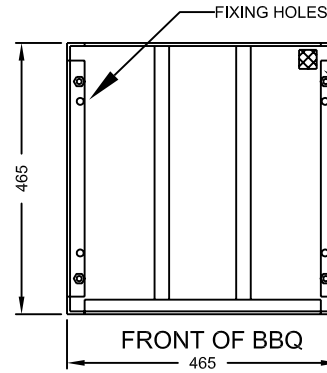
FREESTANDING GAS PARK SAFE COOKING SYSTEM MODEL BI-G-03 (COOPER) CONSTRUCTION DETAIL

N.B. GAS BOTTLES MUST BE HOUSE EXTERNALLY ON THIS MODEL

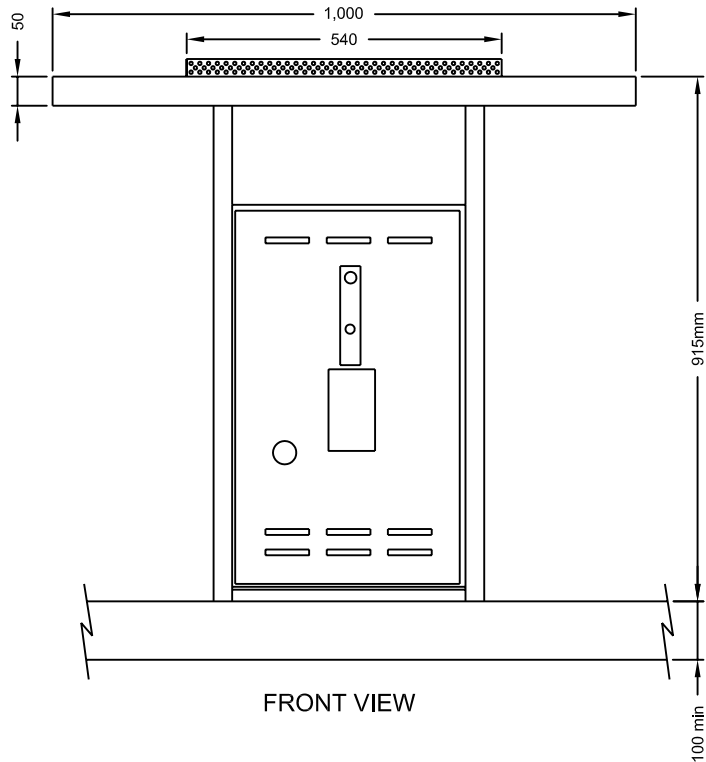
TOP VIEW



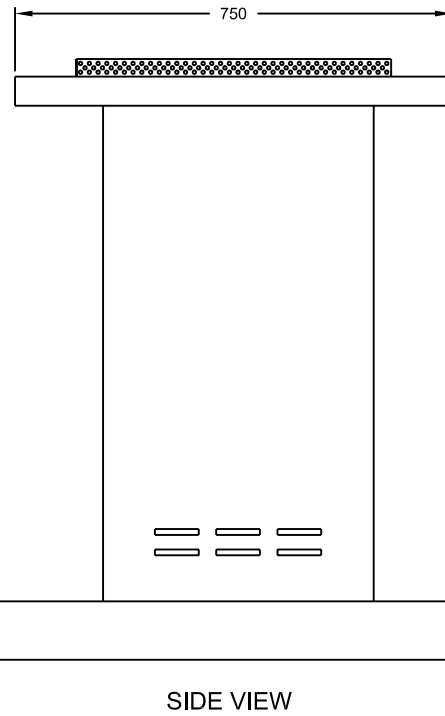
BASE DETAIL



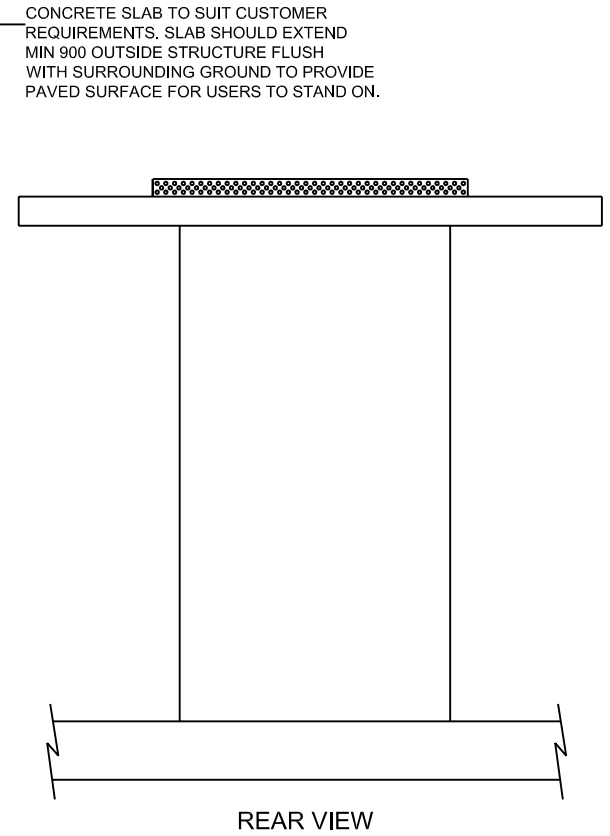
BRING UNDERGROUND SUPPLY PIPE UP TO THE RIGHT SIDE OF HOTPLATE OPENING LOOKING FROM THE FRONT AS INDICATED BY SHADED AREAS. DO NOT BRING PIPE UP DIRECTLY UNDERNEATH HOTPLATE AND ENSURE PIPE DOES NOT RUN UNDERNEATH HOTPLATE.



FRONT VIEW



SIDE VIEW



REAR VIEW

CONCRETE SLAB TO SUIT CUSTOMER REQUIREMENTS. SLAB SHOULD EXTEND MIN 900 OUTSIDE STRUCTURE FLUSH WITH SURROUNDING GROUND TO PROVIDE PAVED SURFACE FOR USERS TO STAND ON.