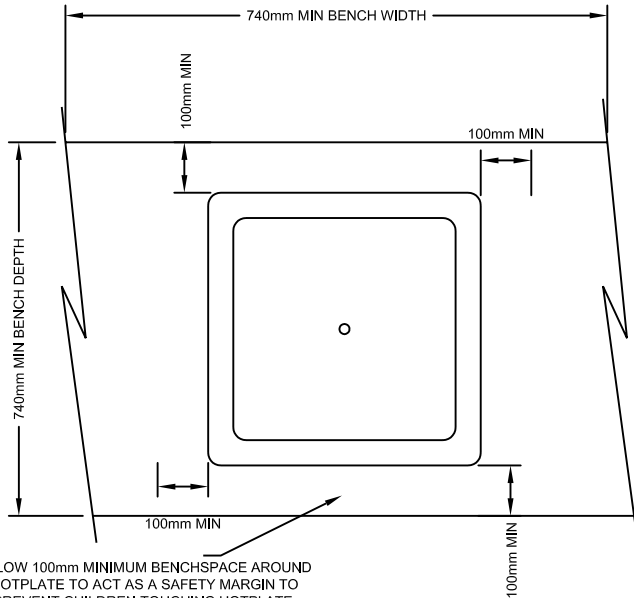




BRICK IN ELECTRIC PARK SAFE COOKING SYSTEM MODEL BI-E-02 COOKING INSERT CONSTRUCTION DETAIL

DO NOT BEGIN BRICKWORK UNTIL COOKING INSERT IS IN POSITION

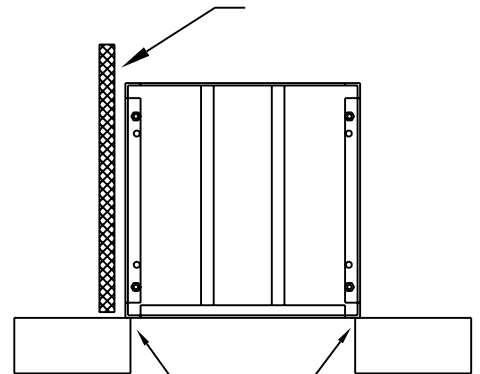
TOP VIEW



ALLOW 100mm MINIMUM BENCHSPACE AROUND HOTPLATE TO ACT AS A SAFETY MARGIN TO PREVENT CHILDREN TOUCHING HOTPLATE.

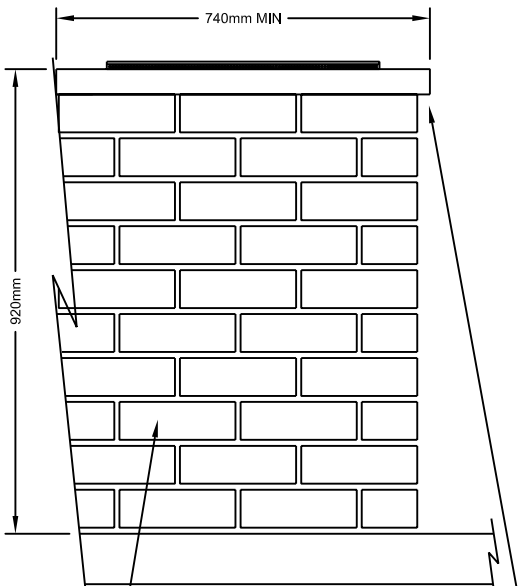
SECTION THROUGH INSERT FRAME

BRING UNDERGROUND SUPPLY CABLES UP TO THE LEFT SIDE OF HOTPLATE OPENING LOOKING FROM THE FRONT AS INDICATED BY SHADED AREAS. DO NOT BRING CABLES UP DIRECTLY UNDERNEATH HOTPLATE AND ENSURE CABLE DOES NOT RUN UNDERNEATH HOTPLATE.



LAY BRICKS TO COVER MIN 5mm OF FRAME.

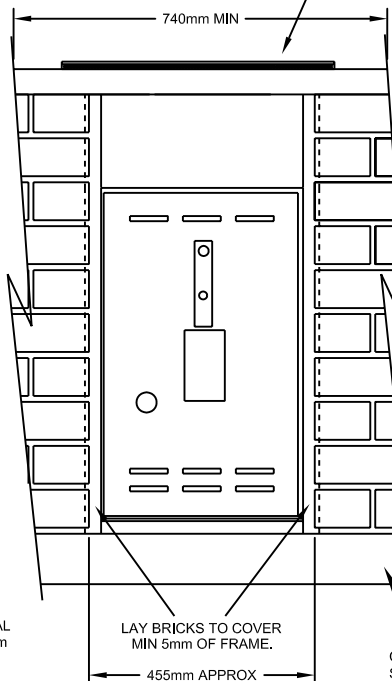
SIDE VIEW



BRICK OR BLOCKWORK TO SUIT CLIENT

BENCH MUST NOT OVERHANG VERTICAL PLANE OF WALLS BY MORE THAN 25mm

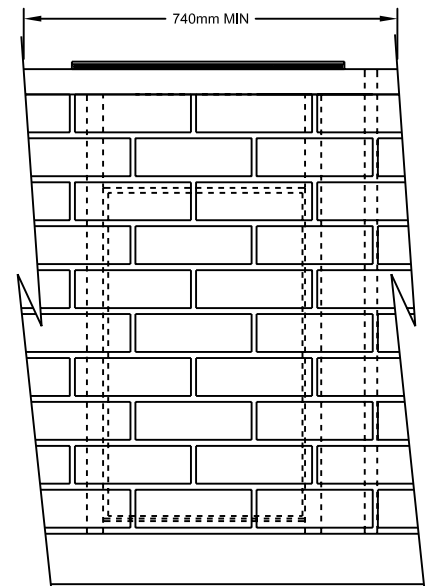
FRONT VIEW



LAY BRICKS TO COVER MIN 5mm OF FRAME.

HOTPLATE MUST SIT UP ON VENTILATION GRILLE TO ALLOW PROPER VENTILATION. USE ADJUSTABLE NUTS ON HOLD DOWN STRAP TO HOLD DOWN SECURELY.

REAR VIEW



CONCRETE SLAB TO SUIT CUSTOMER REQUIREMENTS. SLAB SHOULD EXTEND MIN 900 OUTSIDE STRUCTURE FLUSH WITH SURROUNDING GROUND TO PROVIDE PAVED SURFACE FOR USERS TO STAND ON.